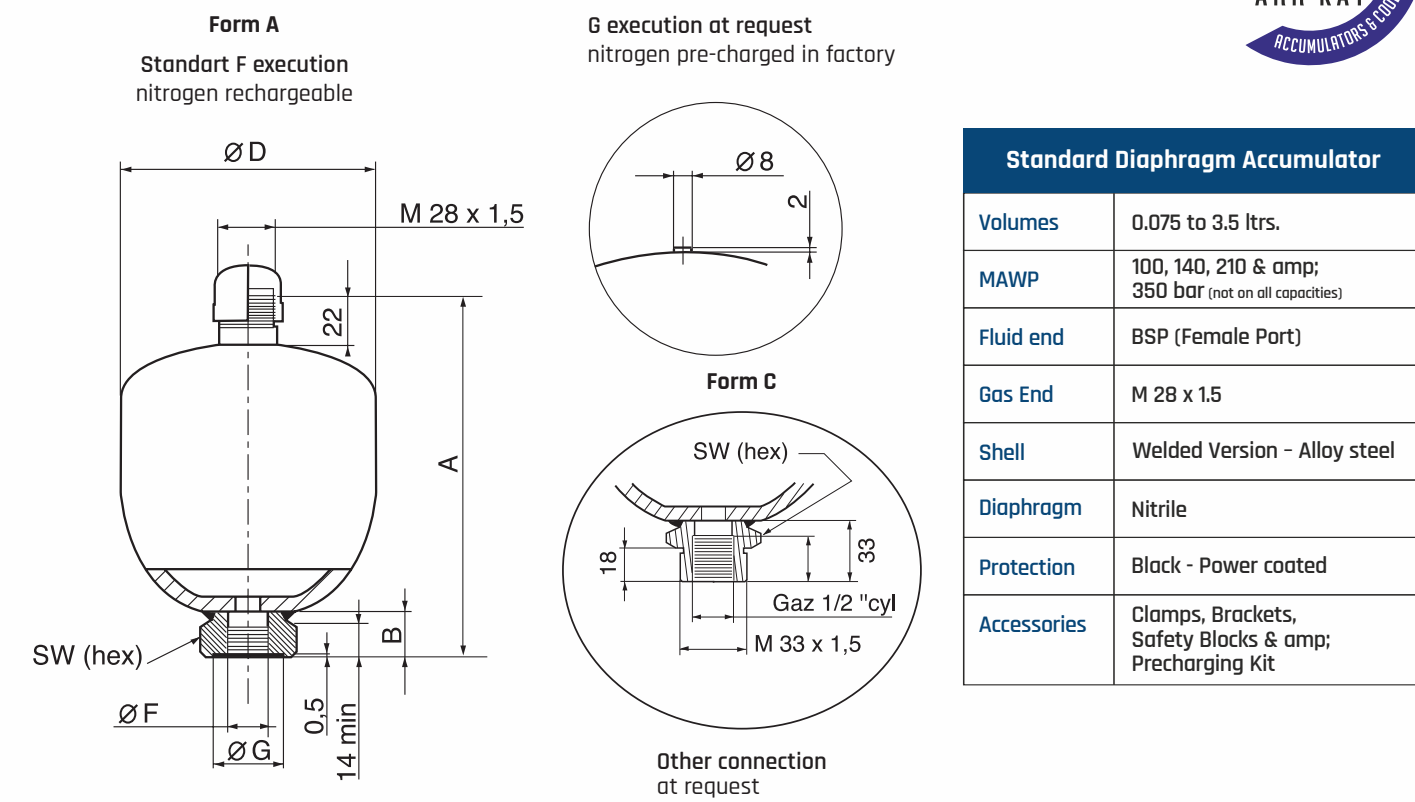


Diaphragm Type Accumulator



Standard Range

Part No	Gas Vol. dm3	MWP Bar	Ratio Pmax / P0	A mm	B mm	ØD mm	ØG mm	WT Kgs.	F Fluid End
ELM 0.075 - 250/AF	0.075	250	8	111	20	64	29	0.7	G1/2"
ELM 0.16 - 250/AF	0.16	250	6	120	20	75	29	1	G1/2"
ELM 0.32 - 210/AF	0.32	210	8	134	20	93	29	1.4	G1/2"
ELM 0.50 - 210/AF	0.5	210	8	152	22	106	34	2	G1/2"
ELM 0.75 - 210/AF	0.75	210	8	166	22	122	34	2.6	G1/2"
ELM 0.75 - 350/AF	0.75	350	8	168	18	133	34	4.4	G1/2"
ELM 1 - 210/AF	1	210	8	180	22	136	34	3.5	G1/2"
ELM 1.4 - 140/AF	1.4	140	8	189	22	145	34	4	G1/2"
ELM 1.4 - 210/AF	1.4	210	8	191	22	148	34	4.2	G1/2"
ELM 1.4 - 350/AF	1.4	350	8	199	20	160	34	7.4	G1/2"
ELM 2 - 100/AF	2	100	6	240	22	144	34	3.5	G3/4"
ELM 2 - 250/AF	2	250	6	251	22	155	34	7.5	G3/4"
ELM 2 - 350/AF	2	350	6	240	22	190	34	11.5	G3/4"
ELM 2.8 - 250/AF	2.8	250	6	268	21	174	34	10	G3/4"
ELM 2.8 - 350/AF	2.8	350	6	285	21	180	34	14.5	G3/4"
ELM 3.5 - 250/AF	3.5	250	4	307	21	174	34	16	G3/4"

ARRKAY POWER TRANSMISSION



SHOWROOM

#153, Ranga Konar Street, Kattoor, Coimbatore - 641009, Tamil Nadu, India. Phone: +91 422 223 7574 | 94437 21148
shop@arrkay.in | sales@arrkay.in
www.arrkay.in

FACTORY & OFFICE

Plot No. 160, Codissia Industrial Park, Mopperipalayam Coimbatore - 641 659, Tamil Nadu, India. Phone: +91 422 2591008 | 94431 64490 | 94437 21168
ramesh@arrkay.in



Your trusted solutions partner.



Accumulator
High-pressure diaphragm accumulator conforming to EC regulations.

ELM RANGE

ABOUT US

We ARRKAY POWER TRANSMISSION hold up a remarkable name in the field of hydraulic power packs and windmill equipments. We started off with a full fledged unit equipped with the most modern manufacturing facilities along with an excellent and proven technical expertise at Coimbatore. Through the years, our success has earned the goodwill of numerous customers all over the country on account of our uncompromising quality, commitment and highly reliable timely service.

VISION

The guiding philosophy at ARRKAY POWER TRANSMISSION is to make ready made solutions available to a customer's demand and merely not products alone.

QUALITY

On account of our uncompromising quality, our wish is to see that our customers grow with the help of our innovative products. Developed techniques, proven expertise, precision control and skilled work force from our basic foundations.

Bladder Type Accumulator



Standard Bladder Accumulator

Volumes	1 to 50 ltrs
Pressure Rating	330, 420 & 690 Bar
Fluid End	BSP (Female Part)
Gas End	5/8" UNF
Design Temp	-10 to + 80 degC
Shell	Formed Chromoly Seamless Steel Shell
Bladder & Seals	Nitrile (Other material available on request)
Certification	Available to meet most of the International Standards
Paint	Epoxy Coat (Spl. Paints & Coating available on request)
Accessories	Clamps, Brackets, Safety Blocks & Precharging Kit

Standard Range

Model	Effective Volume	MAWP	Fluid End	OD x Length (mm)
EHV1-350/00	1 ltr	350 bar	G3/4"	115 x 258
EHV1.6-350/00	1.6 ltr	350 bar	G3/4"	115 x 328
EHV2.5-350/00	2.4 ltr	350 bar	G1-1/4"	115 x 548
EHV4-350/00	3.8 ltr	350 bar	G1-1/4"	168 x 433
EHV5-350/00	5 ltr	350 bar	G1-1/4"	115 x 897
EHV6-330/00	6 ltr	350 bar	G1-1/4"	168 x 559
EHV10-330/00	9.4 ltr	330 bar	G2"	223 x 585
EHV12-330/00	11 ltr	330 bar	G2"	223 x 685
EHV20-330/00	18.8 ltr	330 bar	G2"	223 x 895
EHV24.5-330/00	22.5 ltr	330 bar	G2"	223 x 1030
EHV32-330/00	32 ltr	330 bar	G2"	223 x 1420
EHV50-330/00	48.5 ltr	330 bar	G2"	223 x 1940

ARRKAY POWER TRANSMISSION



SHOWROOM

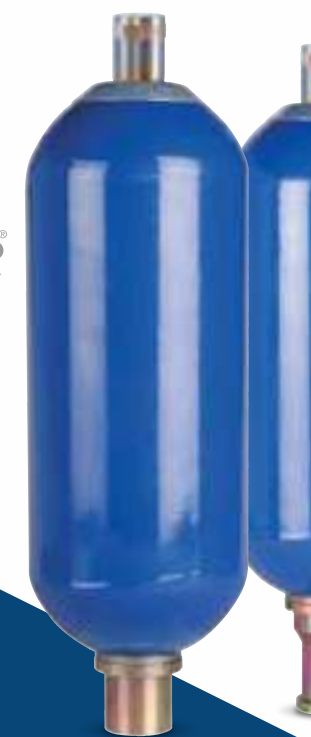
#153, Ranga Konar Street, Kattoor, Coimbatore - 641009, Tamil Nadu, India. Phone: +91 422 223 7574 | 94437 21148
shop@arrkay.in | sales@arrkay.in
www.arrkay.in

FACTORY & OFFICE

Plot No. 160, Codissia Industrial Park, Mopperipalayam Coimbatore - 641 659, Tamil Nadu, India. Phone: +91 422 2591008 | 94431 64490 | 94437 21168
ramesh@arrkay.in



Your trusted solutions partner.



Accumulator
High-pressure bladder type conform to EC regulations.

EHV/EHV Ranges

ABOUT US

We ARRKAY POWER TRANSMISSION hold up a remarkable name in the field of hydraulic power packs and windmill equipments. We started off with a full fledged unit equipped with the most modern manufacturing facilities along with an excellent and proven technical expertise at Coimbatore. Through the years, our success has earned the goodwill of numerous customers all over the country on account of our uncompromising quality, commitment and highly reliable timely service.

VISION

The guiding philosophy at ARRKAY POWER TRANSMISSION is to make ready made solutions available to a customer's demand and merely not products alone.

QUALITY

On account of our uncompromising quality, our wish is to see that our customers grow with the help of our innovative products. Developed techniques, proven expertise, precision control and skilled work force from our basic foundations.